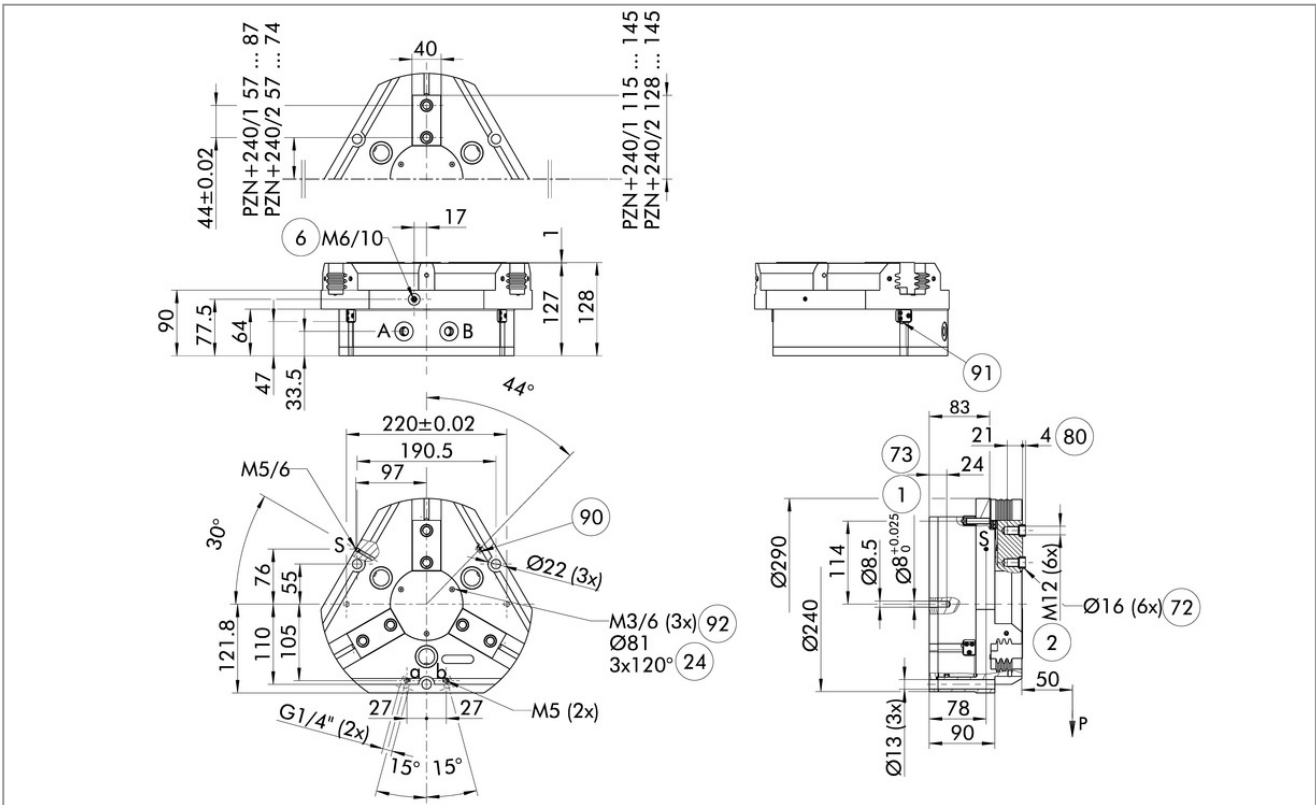


Main view

0303416 PZN-plus 240-2

- i** Please note that the drawing shown is a view of the basic product. Individual product variants are supplemented by the following drawings. Please also take note of the article's catalog data sheet here.

Main view 0303416 PZN-plus 240-2 (PDF)



The drawing shows the gripper in the basic version with closed jaws, without dimensional consideration of the options described below.

A, a Main / direct connection, gripper opening

B, b Main / direct connection, gripper closing

S Air purge connection

① Gripper connection

② Finger connection

⑥ Lubricating nipple connection

②④ Bolt circle

⑦② Fit for centering sleeves

⑦③ Fit for centering pins

- ⑧0 Depth of the centering sleeve hole in the counter part
- ⑨0 Sensor MMS 22..
- ⑨1 Sensor IN ...
- ⑨2 Thread below the cover for fastening external attachments