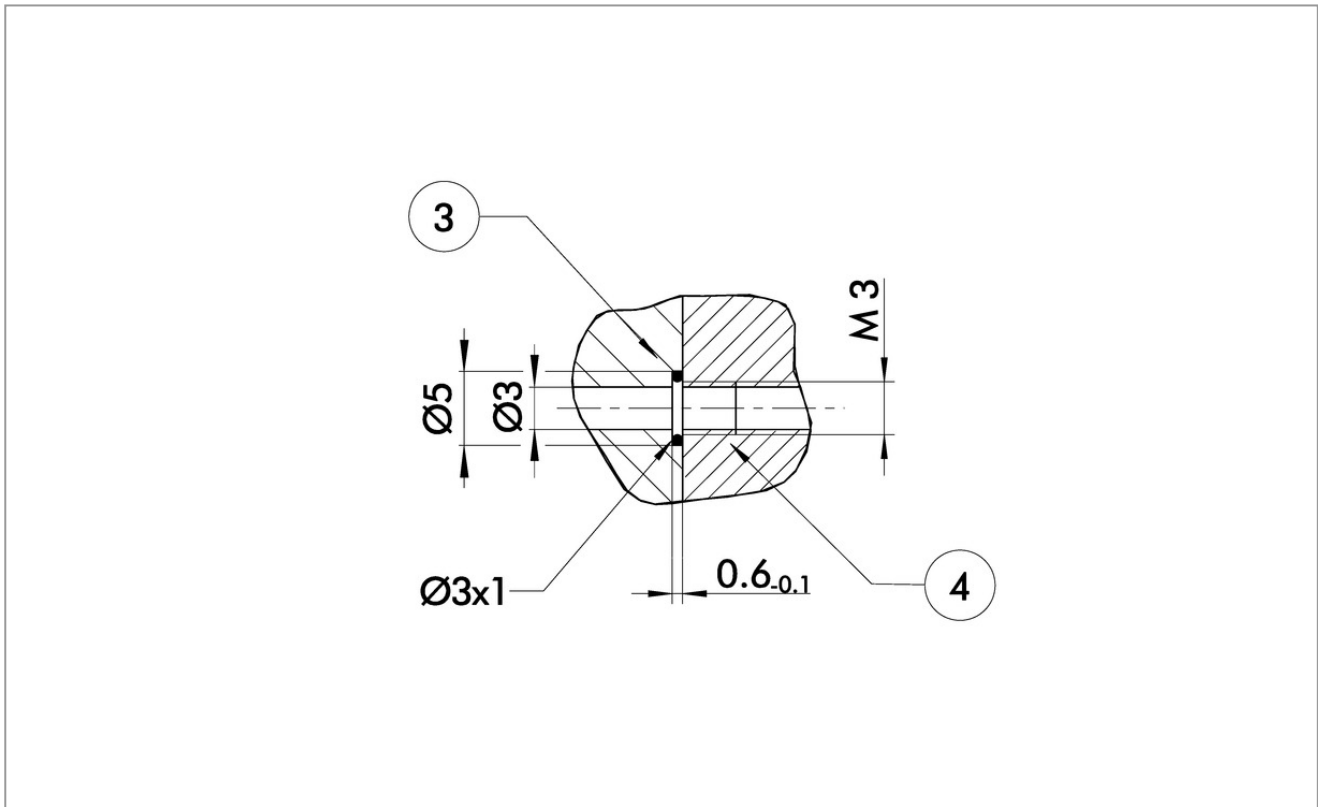


Hose-free direct connection M3

0318521 PGN-plus-P 80-2

Hose-free direct connection M3 0318521 PGN-plus-P 80-2 (PDF)



The direct connection is used for supplying compressed air without hoses. Instead, the pressure medium is fed through bore-holes in the mounting plate.

- ③ Adapter
- ④ Grippers