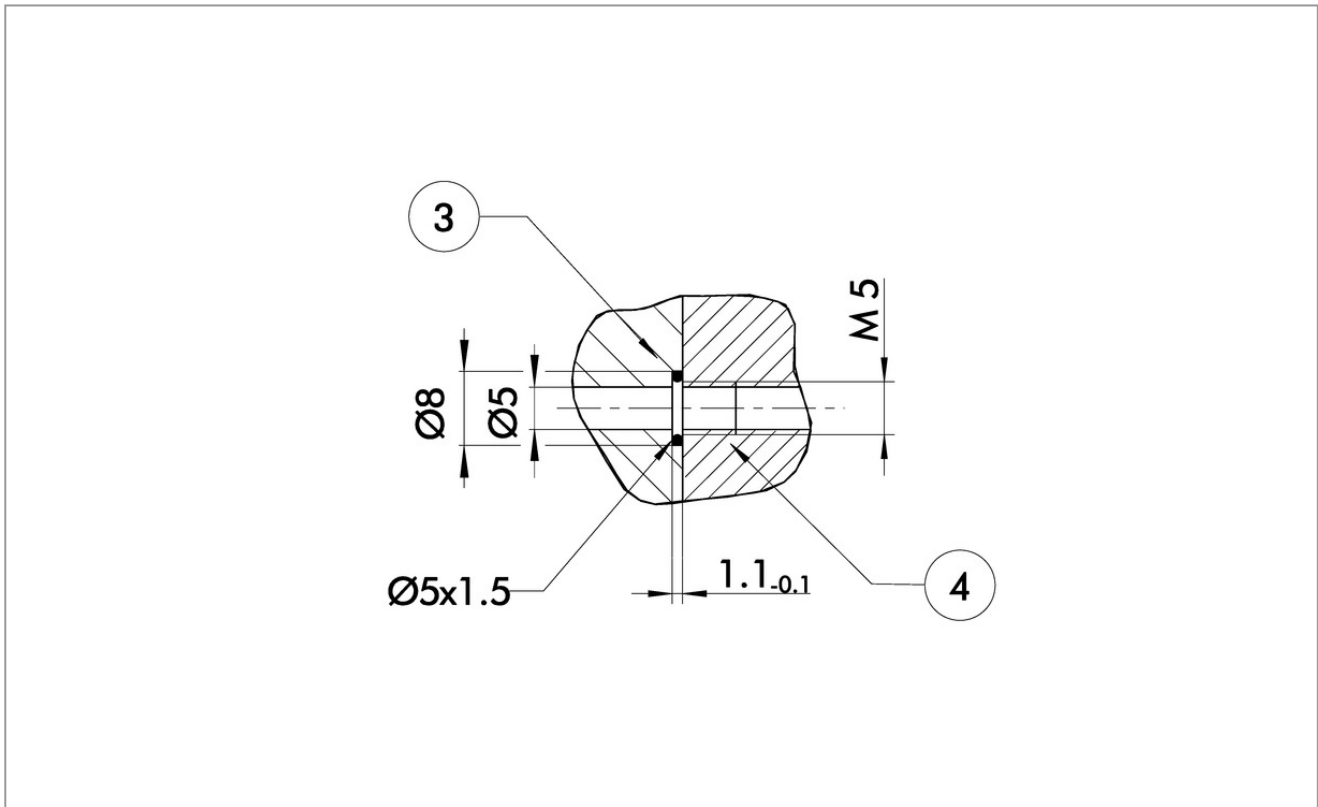


Hose-free direct connection M5

0303416 PZN-plus 240-2

Hose-free direct connection M5 0303416 PZN-plus 240-2 (PDF)



The direct connection is used for supplying compressed air without hoses. Instead, the pressure medium is fed through bore-holes in the mounting plate.

- ③ Adapter
- ④ Grippers