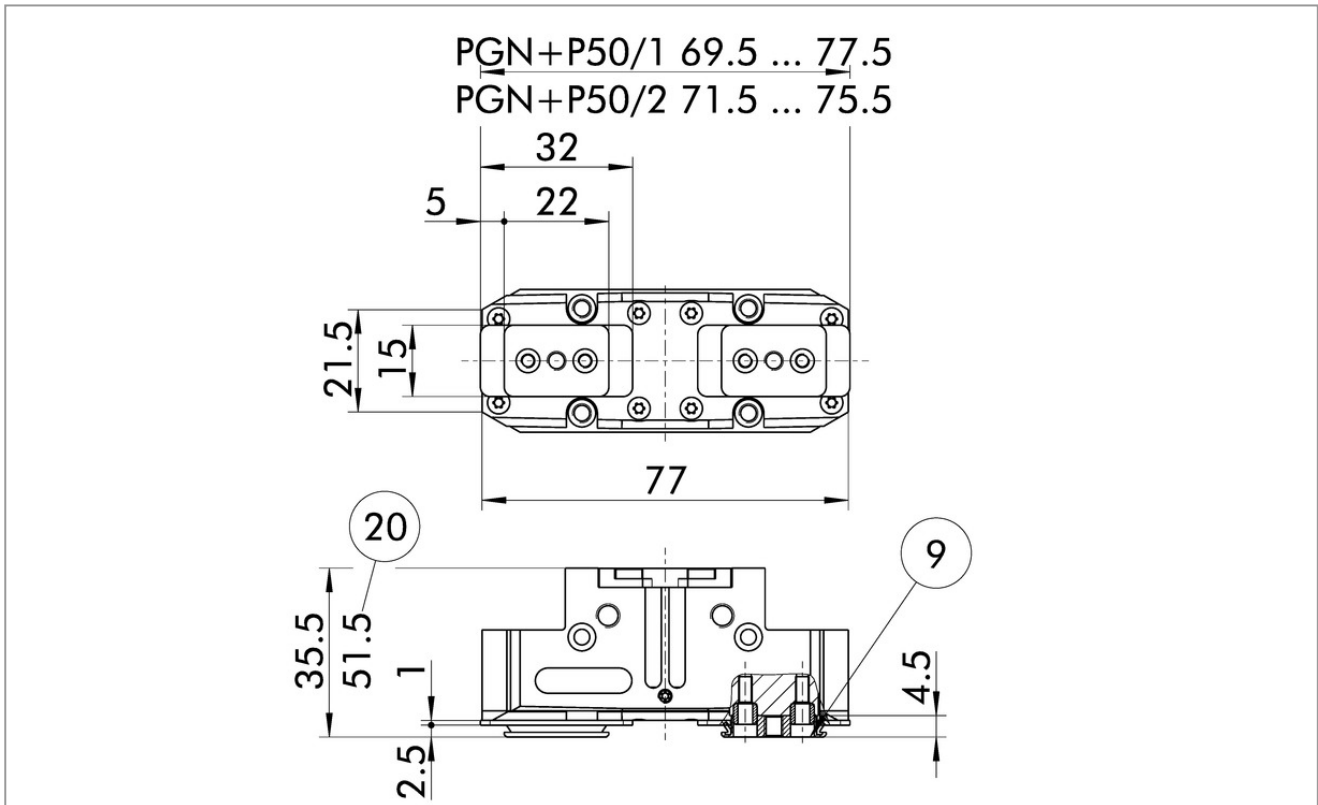


Dust-tight version

0318473 PGN-plus-P 50-2

Dust-tight version 0318473 PGN-plus-P 50-2 (PDF)



The dust cover option increases the protection against external particles. The assembly diagram shifts by the height of the intermediate jaw. The finger length is still measured from the upper edge of the gripper housing.

⑨ For mounting screw connection diagram, see basic version

⑳ For AS / IS version

i The "dust-proof" option can either be ordered in the pre-mounted gripper version or retrofitted to the gripper using the "SAD PGN-plus-P" retrofit kit.