

**FANUC**

**Fast, strong and  
fully enclosed**



**SLIM ARM**  
FOR MORE FLEXIBILITY

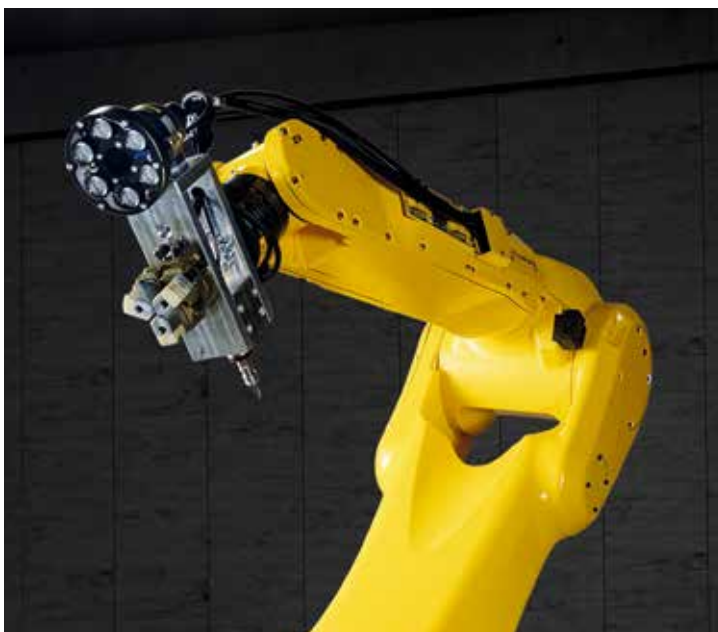


**USER INTERFACE**  
INTEGRATED IN THE ARM



**ENCLOSED CONSTRUCTION**  
NO EXPOSED CABLES  
OR MOTORS

**NEW M-20*i*B/25**



**Flexibility whatever the environment:**

- fully enclosed
- IP67 protection of axes 1-6 for harsh environments
- ideal for wet and dirty processes
- lightweight hollow upper arm
- wrist with advanced servo technology
- increased cycles and throughput

[WWW.FANUC.EU](http://WWW.FANUC.EU)

# M-20iB/25



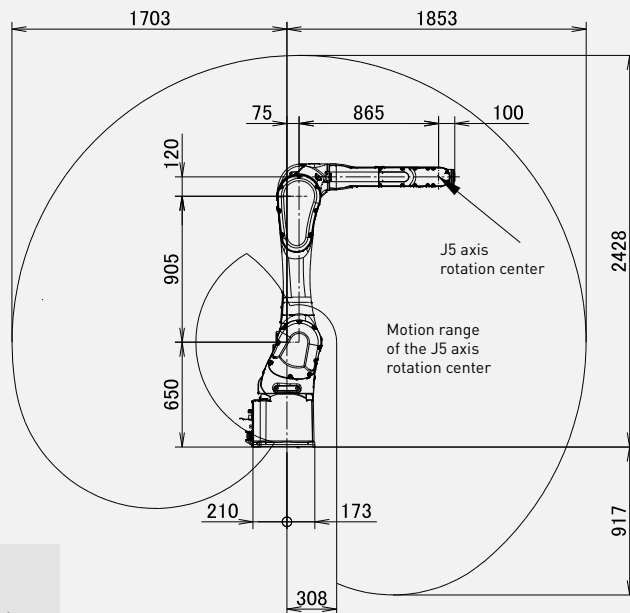
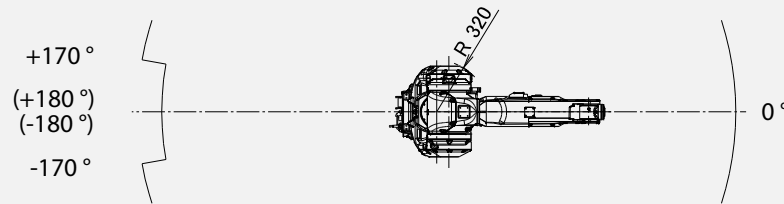
Max. load capacity  
at wrist: **25 kg**



Max. reach:  
**1853 mm**

Controlled axes	Repeatability (mm)	Mechanical weight (kg)	Motion range (°)						Maximum speed (°/s)						J4 Moment/ Inertia (Nm/kgm <sup>2</sup> )	J5 Moment/ Inertia (Nm/kgm <sup>2</sup> )	J6 Moment/ Inertia (Nm/kgm <sup>2</sup> )
			J1	J2	J3	J4	J5	J6	J1	J2	J3	J4	J5	J6			
6	± 0.02*	210	340(360)	240	303	400	290	540	205	205	260	415	415	880	51/2.2	51/2.2	31/1.2

## Working range



Motion range may be restricted according to the mounting angle!

## Robot

	M-20iB/25
Robot footprint [mm]	383 x 343
Mounting position Floor	●
Mounting position Upside down	●
Mounting position Angle	●

## Controller

	R-30iB Plus
Open air cabinet	-
Mate cabinet	○
A-cabinet	●
B-cabinet	○
iPendant Touch	●

## Electrical connections

Voltage 50/60Hz 3phase [V]	380-575
Voltage 50/60Hz 1phase [V]	-
Average power consumption [kW]	1

## Integrated services

Integrated signals on upper arm In/Out	8/2
Integrated air supply	1

## Environment

Acoustic noise level [dB]	< 70
Ambient temperature [° C]	0-45

## Protection

Body standard/optional	IP67
Wrist & J3 arm standard/optional	IP67

● standard ○ on request - not available ( ) with hardware and/or software option

\*Based on IS09283